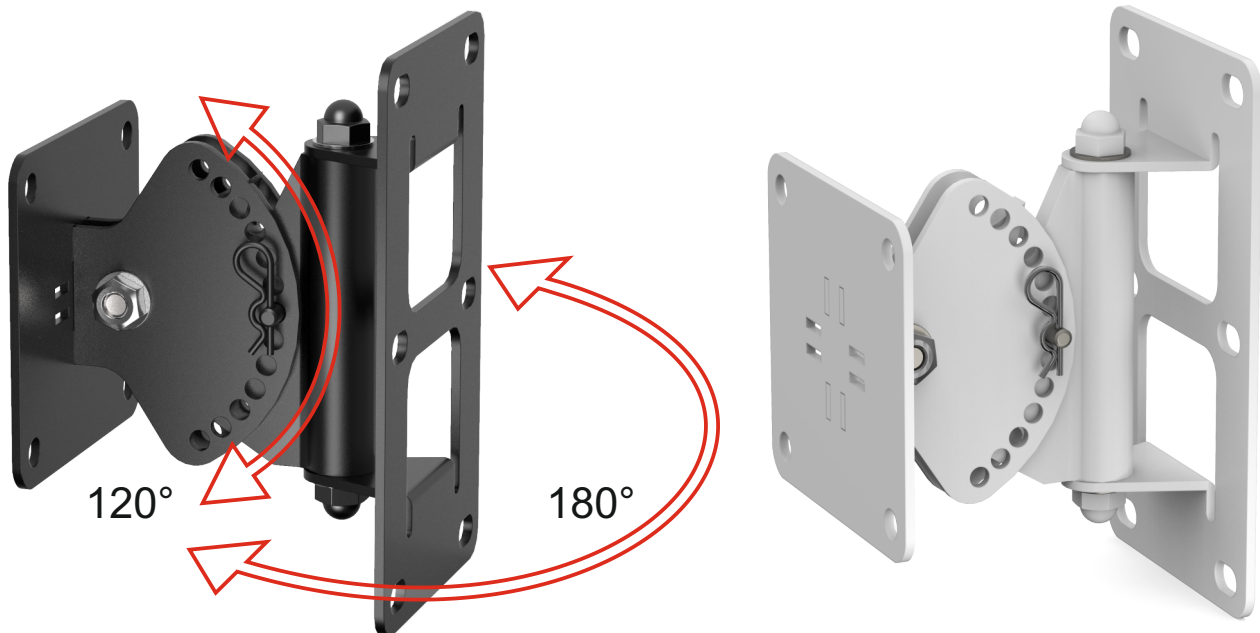
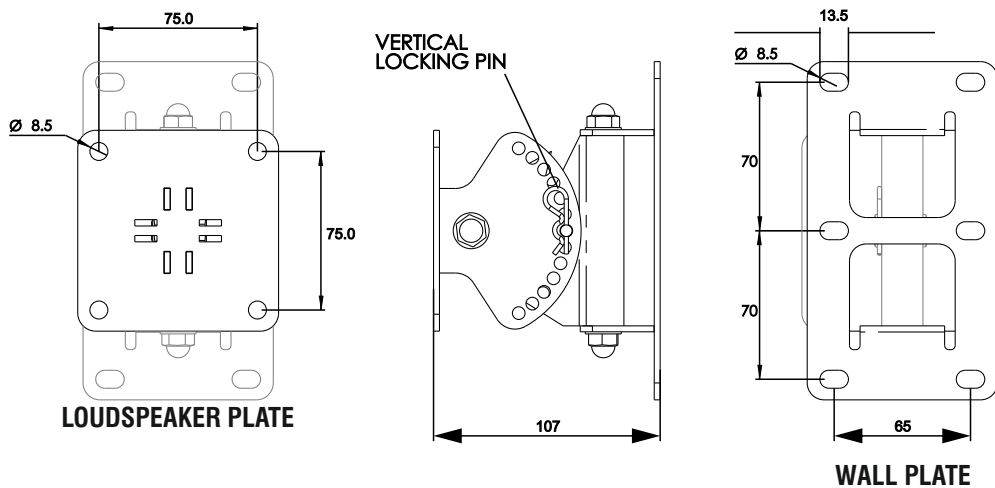


## TNi-BRK30

<b>Description</b>	The HH TNi-BRK30 is a high quality wall bracket for the Tessen PRO installation Range. Designed to offer maximum adjustment and ease of installation. Available in either black or white finishes
Model Code (Black)	TNi-BRK30-B
Model Code (White)	TNi-BRK30-W
<b>Key Features</b>	High Load Capacity 180 degrees Horizontal Adjustment 120 degrees Vertical Adjustment Locking pin to hold set angle
Material	2.0mm Steel
Rated Weight	30Kg
Unit dimensions (HWD)	160 x 95 x 110mm, 6.3" x 3.7" x 4.3"
Unit weight	0.78Kg, 1.7 lbs
Carton dimensions (HWD)	440 x 195 x 160mm, 17.3" x 7.7" x 6.3", 0.014 M3
Packed weight	5.5Kg, 12.1 lbs
EAN13	5060109456295 (2pcs, Black) 5060109456301 (6 Pairs, Black) 5060109456394 (2pcs, White) 5060109456387 (6 Pairs, White)



### DIMENSIONS (in mm)



In the interest of continued development, HH reserves the right to amend product specification without prior notification.

